

	VMF4	VMH4	VMC4
Features:			
NSN	6665-12-409-1381		6665-12-409-1377
Soil compensation	✓	✓	✓
MIL-STD 810G (501.5 I+II, 502.5 I+II, 502.4-II, 503.5 I, 514.6 I, 516.6 IV)	✓	✓	✓
Alarms acoustic, visual and by vibration	✓	✓	✓
Bluetooth® Interface	✓	✓	✓
Embedded Web-Server	✓	✓	✓
Integrated GPS, accuracy 3 m (50 % CEP)	✓	✓	✓
Detection of carbon rods and wires	✓	✓	✓
Green LEDs	✓	✓	✓
Infrared LEDs	✓	✓	✓
Ergonomically optimized for long-term use	✓	✓	
Foldable	✓		✓
Ultra compact			✓
Exchangeable search head	✓	✓	
Technical Data (all values are approximate and subject to modifications without prior notice)			
Power supply with standard batteries	3 x R20/LR20	3 x R20/LR20	2 x LR20
Power supply with rechargeable batteries	3 x HR20	3 x HR20	2 x HR20 or 8 x HR6
Standard search head	Ø 20 cm	Ø 20 cm	12 x 28 cm
Recommended max. search speed	<1.5 m/s	<1.5 m/s	<1.5 m/s
Ambient temperature (operation)	-31°C to +63°C	-31°C to +63°C	-31°C to +63°C
Ambient temperature (storage)	-51°C to +71°C	-51°C bis +71°C	-51°C to +71°C
Watertight (1 hour at 20°C)	5 m	5 m	5 m
Weight – detector with/without batteries (VARTA industrial)	2.5 kg /2.1 kg	2.5 kg /2.1 kg	1.25/1.05 kg
Transport weight - detector in transport bag with operation manual and batteries (VARTA industrial)	3.4 kg	3.91 kg	1.35 kg
Options / accessories:			
Hardcase VMF4 Part number 2904090120	✓		
Hardcase VMH4 Part number 2905010050		✓	
Bag VS60	✓	✓	
Search head VS20 (Ø 20 cm) Part number 2904090010	✓	✓	
Search head VS30 (Ø 30 cm) Part number 2904090200	✓	✓	
Search head VS60 (Ø 60 cm) Part number 2904090210	✓	✓	
Stick probe Part number 2904090230	✓	✓	
Search head protection cover for VS20	✓	✓	

VMF4 VMH4 VMC4

The 4th Generation Metal Detectors

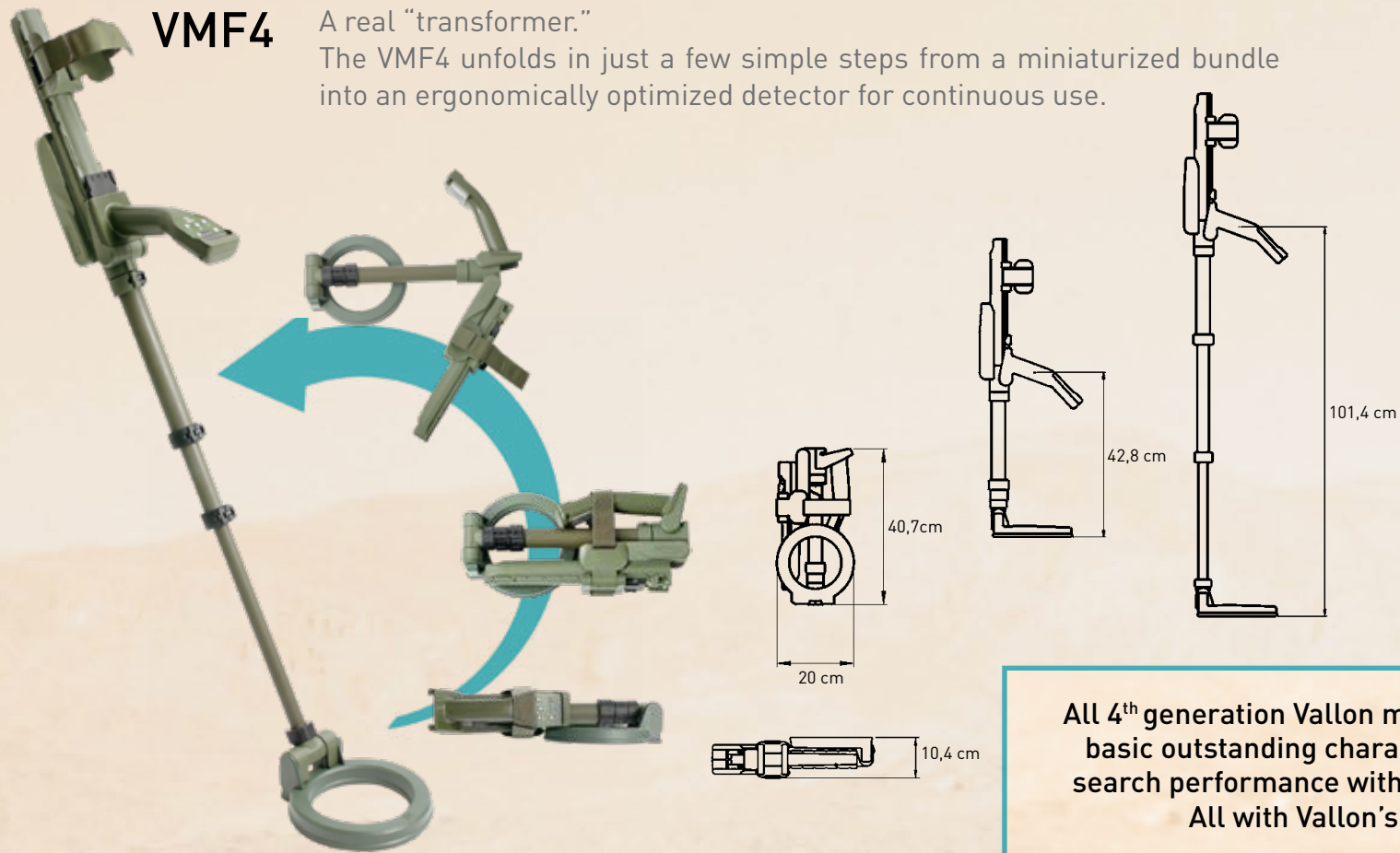
Experience meets **High Tech**

- ✓ Top-Level sensitivity
- ✓ Detection of low-conductive materials as for example carbon rods
- ✓ Wire detection
- ✓ Green LEDs for best visibility at daylight
- ✓ Infrared LEDs for use with night-vision devices
- ✓ Highly effective soil compensation
- ✓ Audio, visual and vibration feedback
- ✓ Bluetooth® interface
- ✓ Integrated web-server
- ✓ Communication with mobile devices through standard browsers
- ✓ Integrated GPS automatic and manual triggering of waypoints



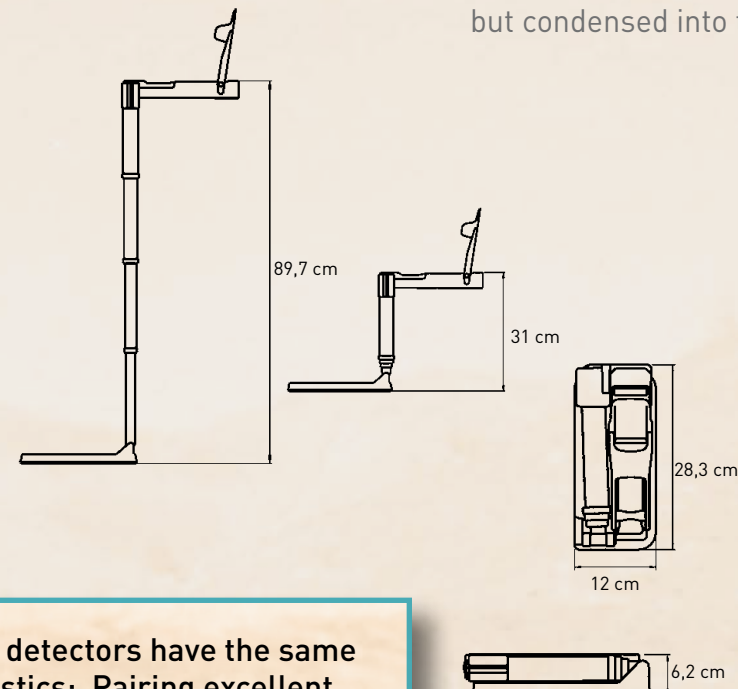
VMF4

A real "transformer."
The VMF4 unfolds in just a few simple steps from a miniaturized bundle into an ergonomically optimized detector for continuous use.



Designed for Special Forces as well as EOD and special humanitarian demining tasks, the VMC4 offers full search performance standard to the 4th generation detectors, but condensed into the smallest and lightest possible package.

VMC4

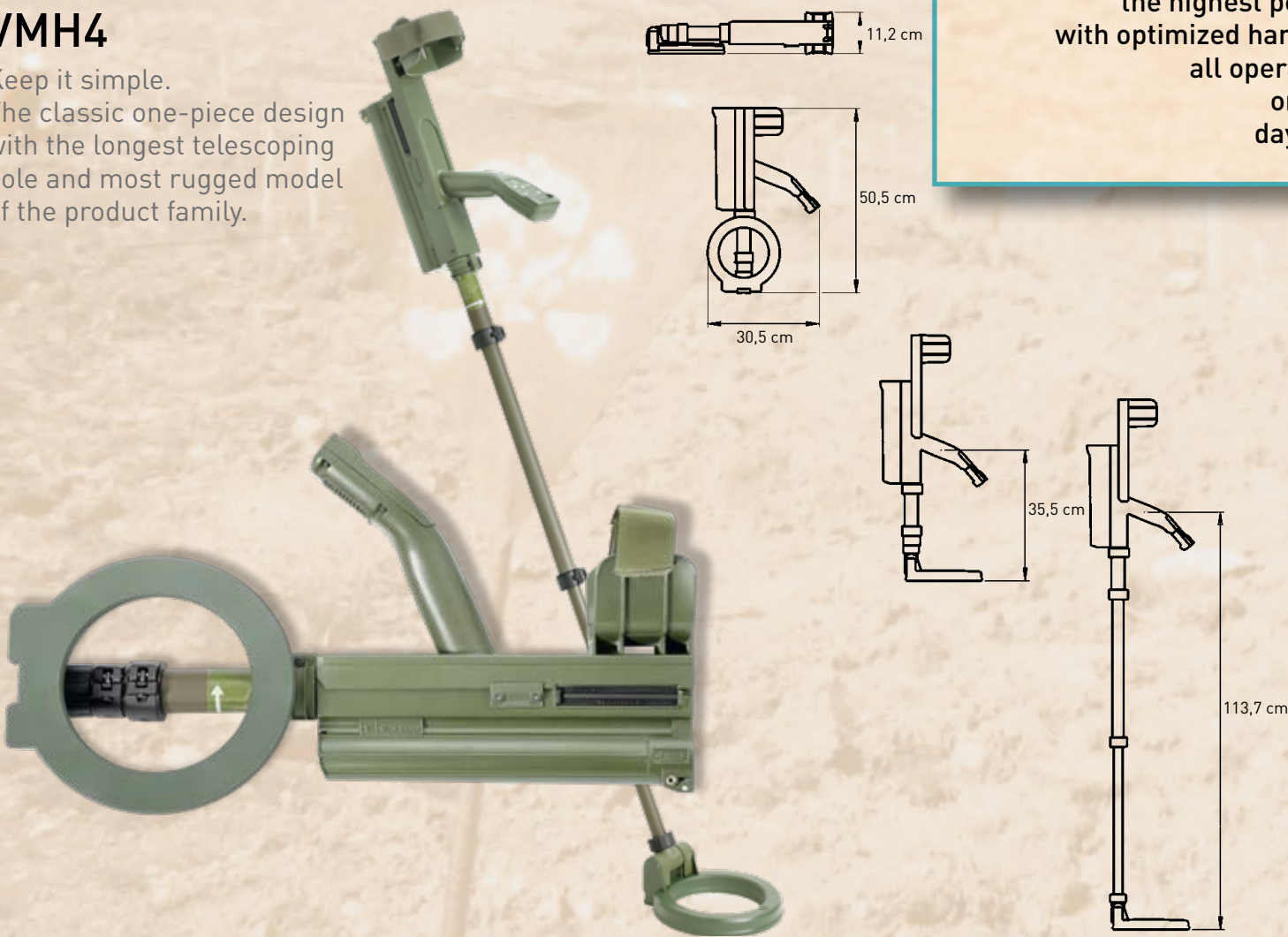


All 4th generation Vallon metal detectors have the same basic outstanding characteristics: Pairing excellent search performance with state-of-the-art interfacing. All with Vallon's proven high quality.

The new Detector Generation meets the highest performance demands with optimized hardware capable of handling all operating conditions on all soils day and night

VMH4

Keep it simple.
The classic one-piece design with the longest telescoping pole and most rugged model of the product family.



Web Interface

An integrated web interface offers an alternate graphical detector interface. Accessible via Bluetooth® or cable and a web browser, the control center becomes accessible for simple adjustments:

- Modifications to detector settings
- Reading status information
- Firmware updates
- Downloading recorded GPS positions and waypoints with automatic transfer to Google Earth™ overlay (see below)

